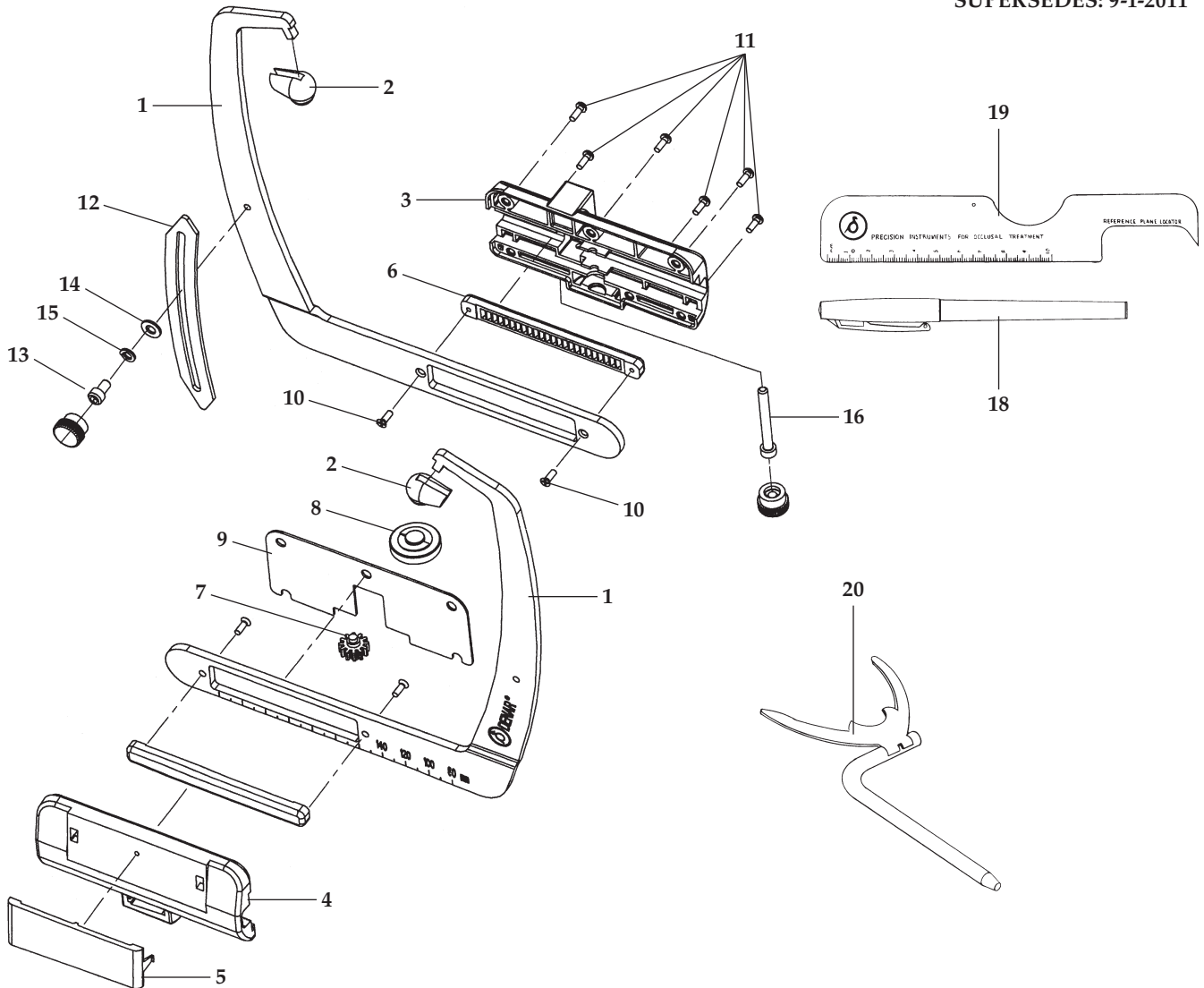


# DENAR® PARTS LIST

## SLIDEMATIC FACEBOW

PART #: 8815-1  
EFFECTIVE: 12-1-2011  
SUPERSEDES: 9-1-2011

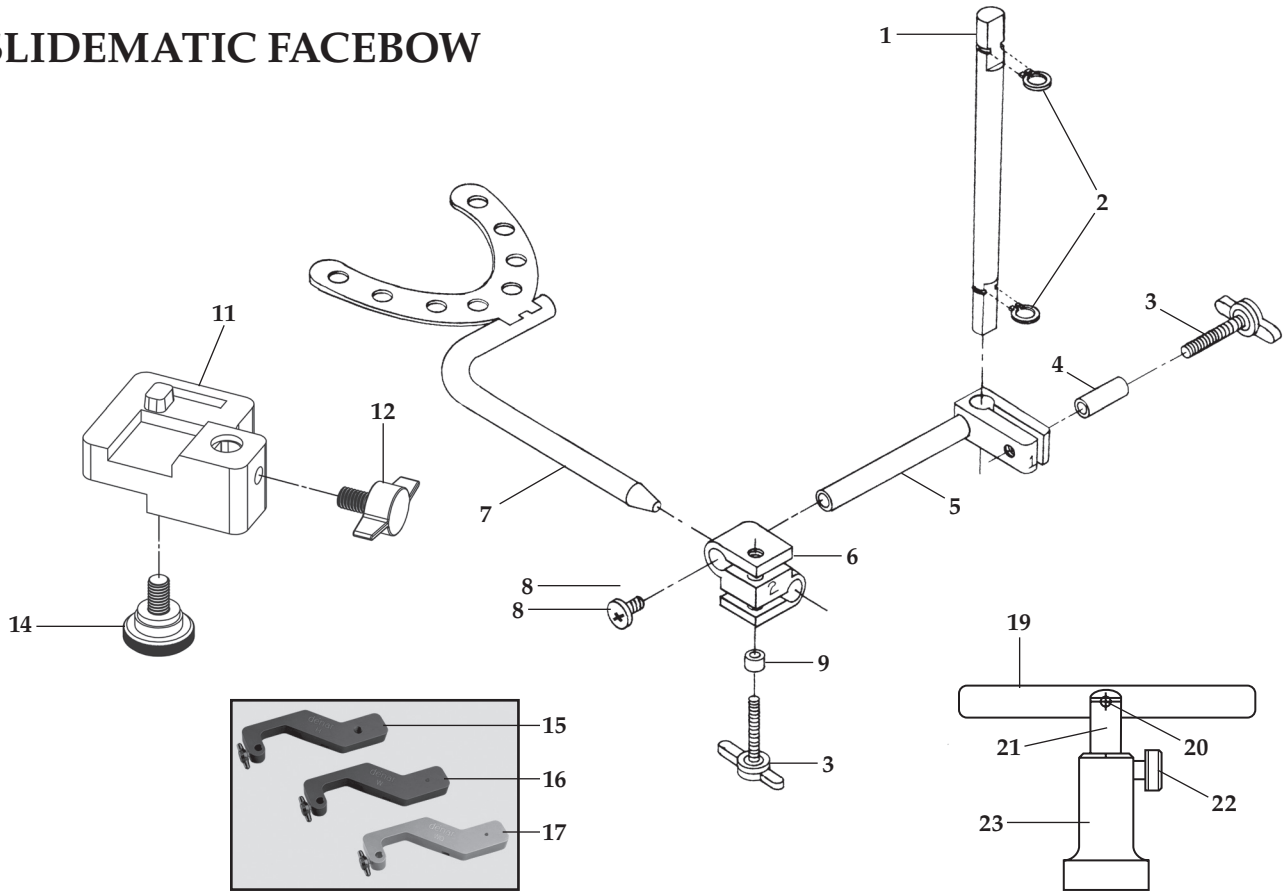


Key #	Part #	Description	Items Incl.
	20002950	Measuring Bow Assy.	1-17
1		Arm*	
2	20000550	Ear Plug	
3		Cover Assembly*	
4		Cover, Sight*	
5		Sight, Cap	
6		Gear Rack*	
7		Pinion Gear*	
8		Camlock*	
9		Bearing*	
10		Screw*	
11		Screw*	

Key #	Part #	Description
12	300426	Pointer
13	20002945	Thumbscrew, Orbital Assembly
14	3382	Washer
15	3420	Lock Washer
16	20002949	Thumbscrew, Transfer Assembly
18	3265	Reference Plane Marker
19	3266	Reference Plane Locator
20	200030	Bite Fork - Edentulous
Not Shown	20000923	Case
	8058	Manual

\* Factory Repair Required

# SLIDEMATIC FACEBOW



Key #	Part #	Description	Items Incl.
	200007	Bite Fork Assembly	1-9
	200016-1	Shaft Assembly	1-6, 8, 9
	200080	Denar Index	11, 12, 14
	200082	Hanau Index	12, 15
	200088	Whip Mix Index	12, 16
	20009819	Hanau Index & Cast Support	12, 15, 19-23
1		Shaft*	
2	3044	Snap Rings	
3	200098	Knob/Screw Assembly Tee Knob	
4	3685	Spacer, Nylon	
5		Clamp #1*	
6		Clamp #2*	
7	200029	Bite Fork	

Key #	Part #	Description
8		Stop, #1 Screw*
9	3686	Spacer, Nylon
11		Platform*
12	200090	T-Knob Screw Assembly
14	110271	Knob Screw Assembly
15	200082	Hanau Index
16	200088	Whip Mix Index
17	200088Q	Whip Mix Index, Quick Mount
19		Bar*
20		Pin*
21		Shaft*
22	003414-000	Screw Assembly
23	003412-000	Base

\* Factory Repair Required



RESTORATIVE ORAL HEALTH  
Whip Mix Corporation  
361 Farmington Avenue  
Louisville, KY USA 40209  
Toll-Free: 800-626-5651  
Fax: 502-634-4512  
www.whipmix.com



EU Representative  
Whip Mix Europe GmbH  
Raudestraße 2  
D-44141 Dortmund  
Germany Phone:  
49 231 567 70 8-0  
Fax: 49 231 567 70 8-50